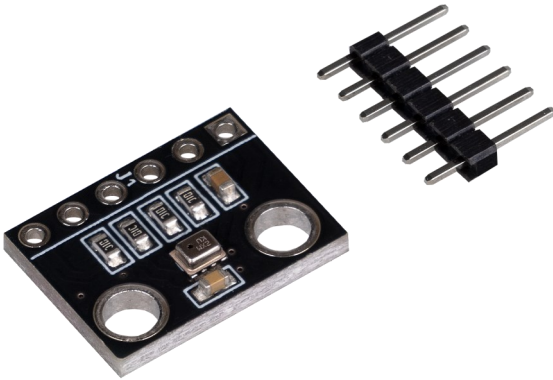


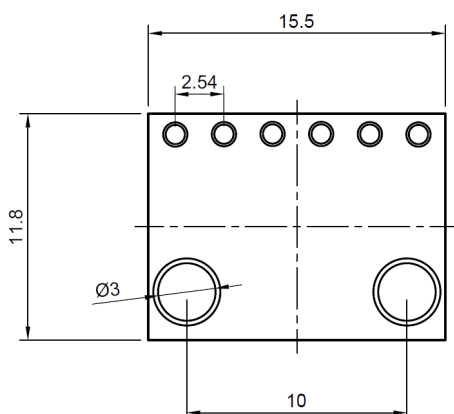
AIR PRESSURE AND TEMPERATURE SENSOR

BMP280



With this sensor board you can measure both air pressure and temperature. The sensor can be controlled either via I2C or via SPI.

Because the BMP280 is so widely used, there are already a large number of application examples to be found online.



MAIN FEATURES

Model	BMP280
Special feature	Air pressure and temperature sensor
Dimensions	15.5 x 12 x 2.7 mm
Weight	2 g
Items delivered	Sensor board, pin header

FURTHER SPECIFICATIONS

Supply voltage	3.3 V
Logic level	3.3 V
Interface	I2C (0x76,0x77), SPI
Supply current	2.7 μ A @1 Hz sampling rate
Air pressure range	300 - 1100 hPa
Relative accuracy	\pm 0.12 hPa
Absolute accuracy	\pm 1 hPa
Air pressure resolution	0.16 Pa
Temperature range	-40 to 85 $^{\circ}$ C
Temperature accuracy	\pm 1 $^{\circ}$ C
Temperature resolution	0,01 $^{\circ}$ C
Operating temperature	-40 to 85 $^{\circ}$ C full accuracy 0 to 65 $^{\circ}$ C

FURTHER DETAILS

Article No.	SEN-KY052
EAN	4250236822044
Customs Tariff No.	8473302000