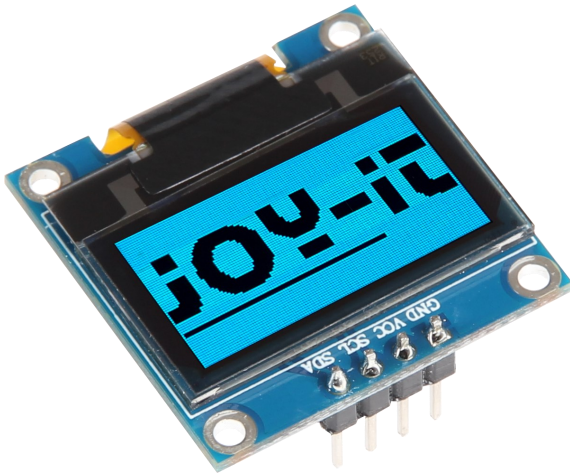


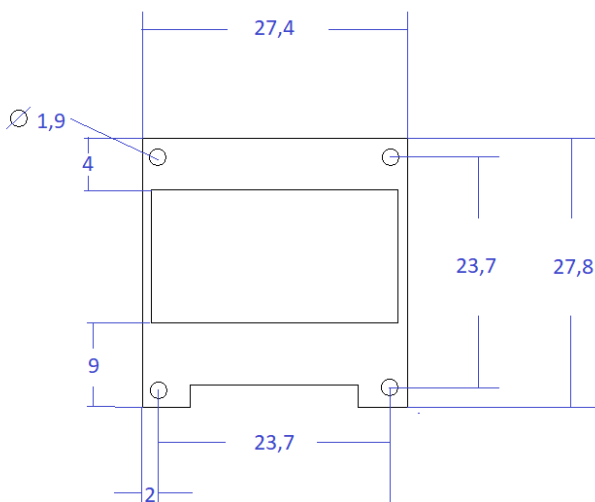
0,96" I²C OLED DISPLAY

128 x 64 Pixel Display



This small 0.96 inch (approx. 2.44 cm) OLED display with SSD1306 controller works with an I2C interface, making it easy to use with Arduino, Raspberry Pi or other single-board computers or microcontrollers.

Due to OLED technology, no background lighting is required, as each pixel illuminates itself. This always ensures a high-contrast image and lower power consumption.



MAIN FEATURES

Model	OLED-Display
Special feature	Small display with high resolution, easy to mount, universally useable
Dimensions	27.5 x 27.7 x 11.2 mm
Weight	4 g
Items included	SBC-OLED01

FURTHER SPECIFICATIONS

Operating voltage	3.3 - 5 V
Logic level	3.3 V
Resolution	128 x 64 Pixel
Background color	Black
Display color	Blue
Connection	4 pin 2.54 mm
Interface	I ² C
Chip	SSD1306

FURTHER DETAILS

Article No.	SBC-OLED01
EAN	4250236819846
Customs Tariff No.	8473302000