

# NEMA34-01

Bipolar stepper motor



This NEMA-34 stepper motor is suitable even for the biggest projects (f. e. CNC-application, robotic, etc.). With its high holding torque of 11 Nm, it can meet higher requirements.

## KEY FEATURES

Shaft dimensions	Ø 14 x 25 mm (single shaft)
Specification	86SHD4505-37B
Connection	4 connecting cables with open ends
Steps per Revolution	200
Dimensions	85 x 85 x 150 mm
Items delivered	NEMA34-01 Stepper Motor

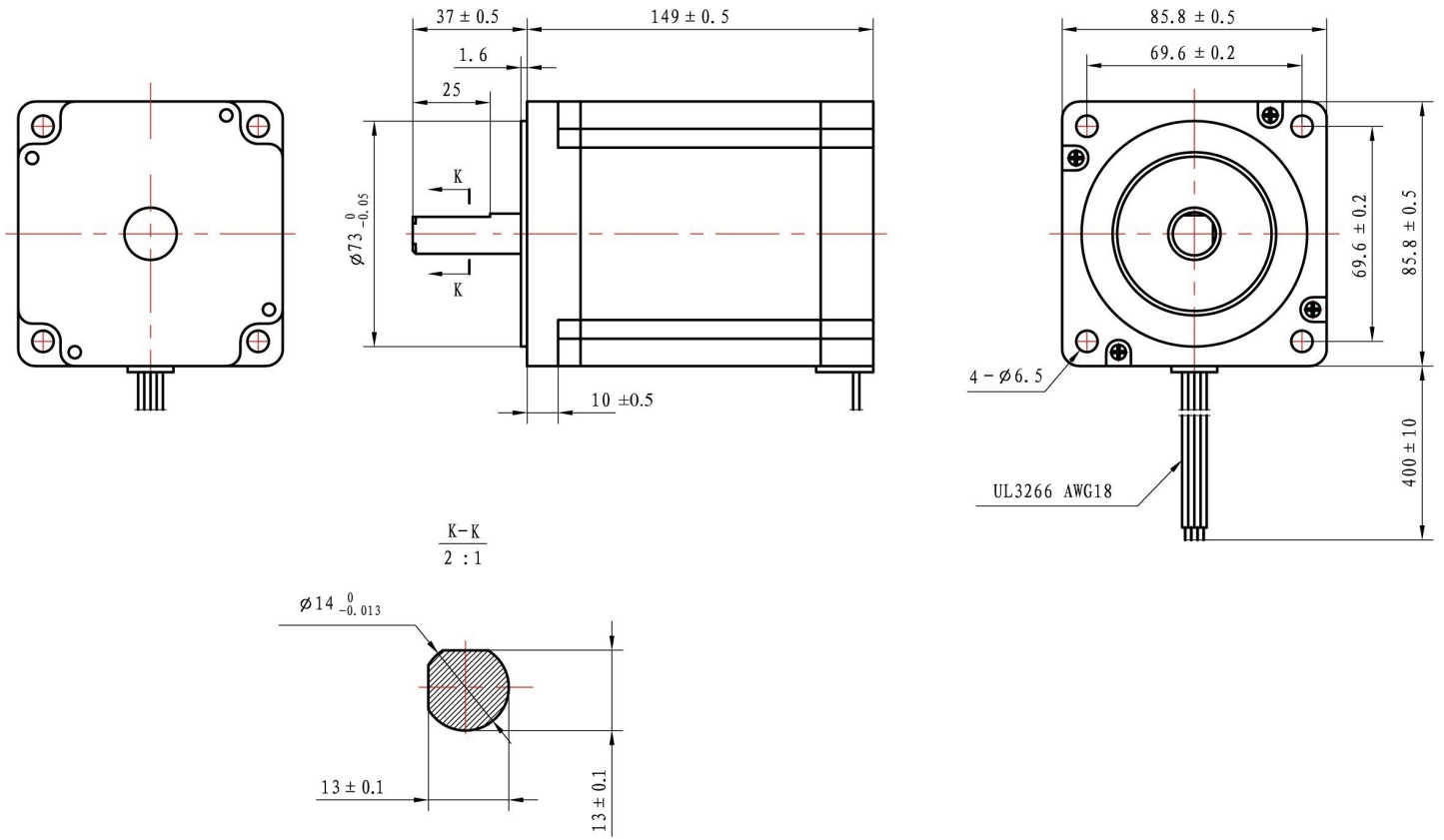
## PERFORMANCE CHARACTERISTICS

Holding torque	12 Nm
Step angle	1.8 °
Rated voltage	5.5 V
Rated current	5.0 A
Amount of Phases	2
Phase resistance	1.1 Ω
Phase inductivity	7.5 mH
Isolation resistance	Min. 100MΩ by 500 V DC
Isolation class	B (130°)
Rotational inertia	3600 g·cm <sup>2</sup>
Detent torque	0.32 Nm
Operating temperature	-10 °C - 50 °C

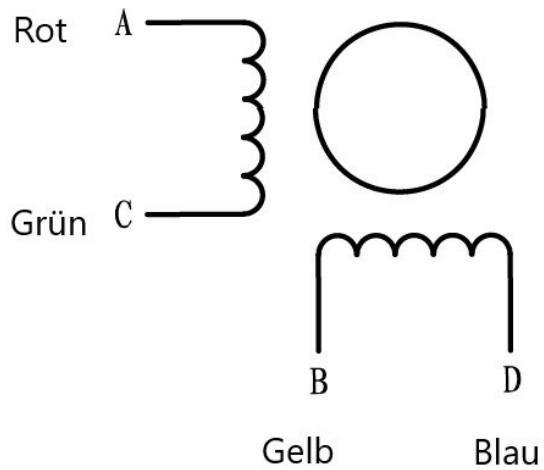
## FURTHER DETAILS

Article No.	NEMA34-01
EAN	4250236818825
Customs Tariff No.	8501109990

## DRAWING



## WIRING



PHASE STEP	A	B	C	D
1	+	+	-	-
2	-	+	+	-
3	-	-	+	+
4	+	-	-	+

CW ↓      ↑ CCW

## TORQUE DIAGRAM

