

NEMA23-03

Bipolar Stepper Motor



This NEMA-23 stepper motor suits for your project, anyhow with CNC or robotics, if you're looking for high performance. This motor stands out with its high holding torque of 3 Nm .

KEY FEATURES

Shaft dimensions	Ø 7.5 x 32 mm (single shaft)
Specification	57SHD4934-34B
Connection	4 connecting cables with open ends
Steps per Revolution	200
Dimensions	56 x 56 x 101 mm
Items delivered	NEMA23-03 Stepper Motor

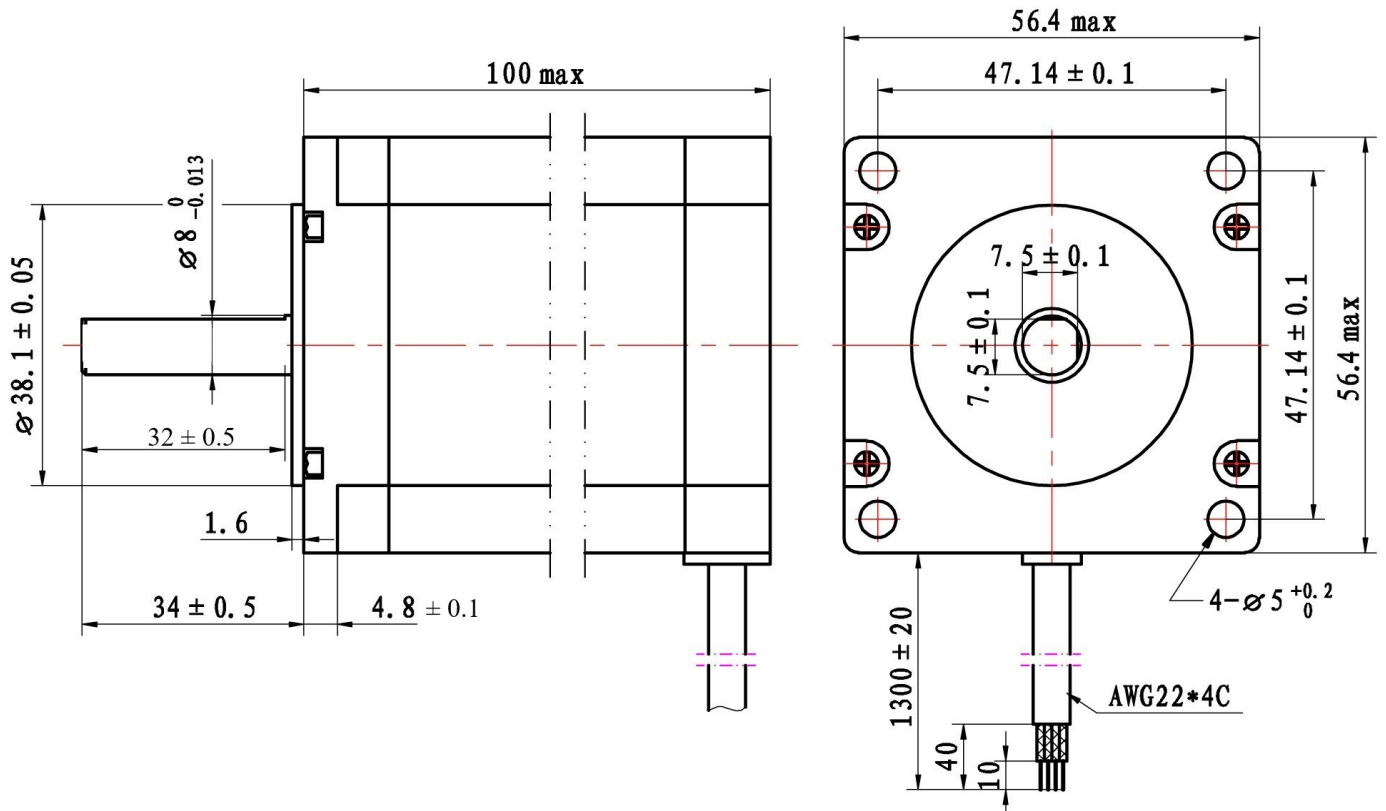
PERFORMANCE CHARACTERISTICS

Holding torque	3 Nm
Step angle	1,8 °
Rated voltage	8,4 V
Rated current	3 A
Amount of Phases	2
Phase resistance	2,8 Ω
Phase inductivity	11 mH
Isolation resistance	Min. 100MΩ by 500 V DC
Isolation class	B (130°)
Rotational inertia	650 g·cm ²
Detent torque	0.1 Nm
Operating temperature	-10 °C - 50 °C

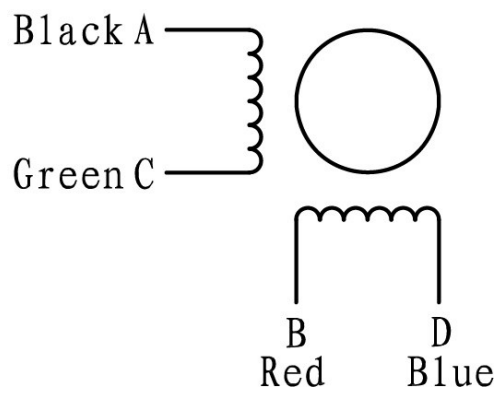
FURTHER DETAILS

Article No.	NEMA23-03
EAN	4250236818801
Customs Tariff No.	8501109990

DRAWING



WIRING



TORQUE DIAGRAM

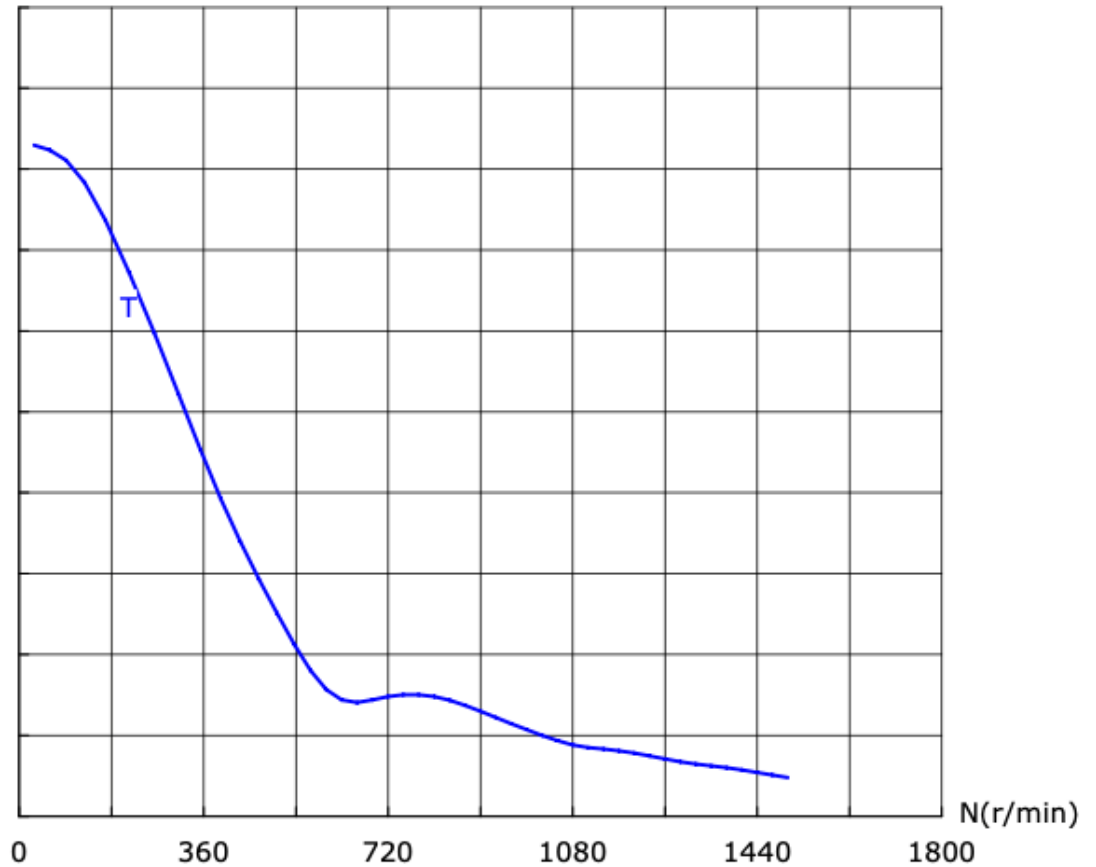
2H-845 DRIVER SETTINGS

Voltage 48.76 V

max. current 3.0 A

T(mN.m)

2800
2520
2240
1960
1680
1400
1120
840
560
280



MAX. EFFICIENCY

Efficiency 70.7 %

Torque 1100.9 mNm

Current 1.272 A

Speed 393 min⁻¹

Output power 43.19 W

MAX. TORQUE

Torque 2322.9 mNm

Current 0.789 A

Speed 29 min⁻¹

Output power 7.05 W

MAX. POWER

Torque 1269.8 mNm

Current 1.320 A

Speed 354 min⁻¹

Output power 44.31 W

Published: 24.11.2025