

# NEMA23-03

Bipolar Stepper Motor



This NEMA-23 stepper motor suits for your project, anyhow with CNC or robotics, if you're looking for high performance. This motor stands out with its high holding torque of 3 Nm .

## KEY FEATURES

Shaft diameter	Ø 7.5 x 32 mm (single shaft)
Specification	57SHD4934-34B
Connection	4 -core cable
Steps per revolution	200
Dimensions	56 x 56 x 101 mm
Items delivered	NEMA23-03 Motor

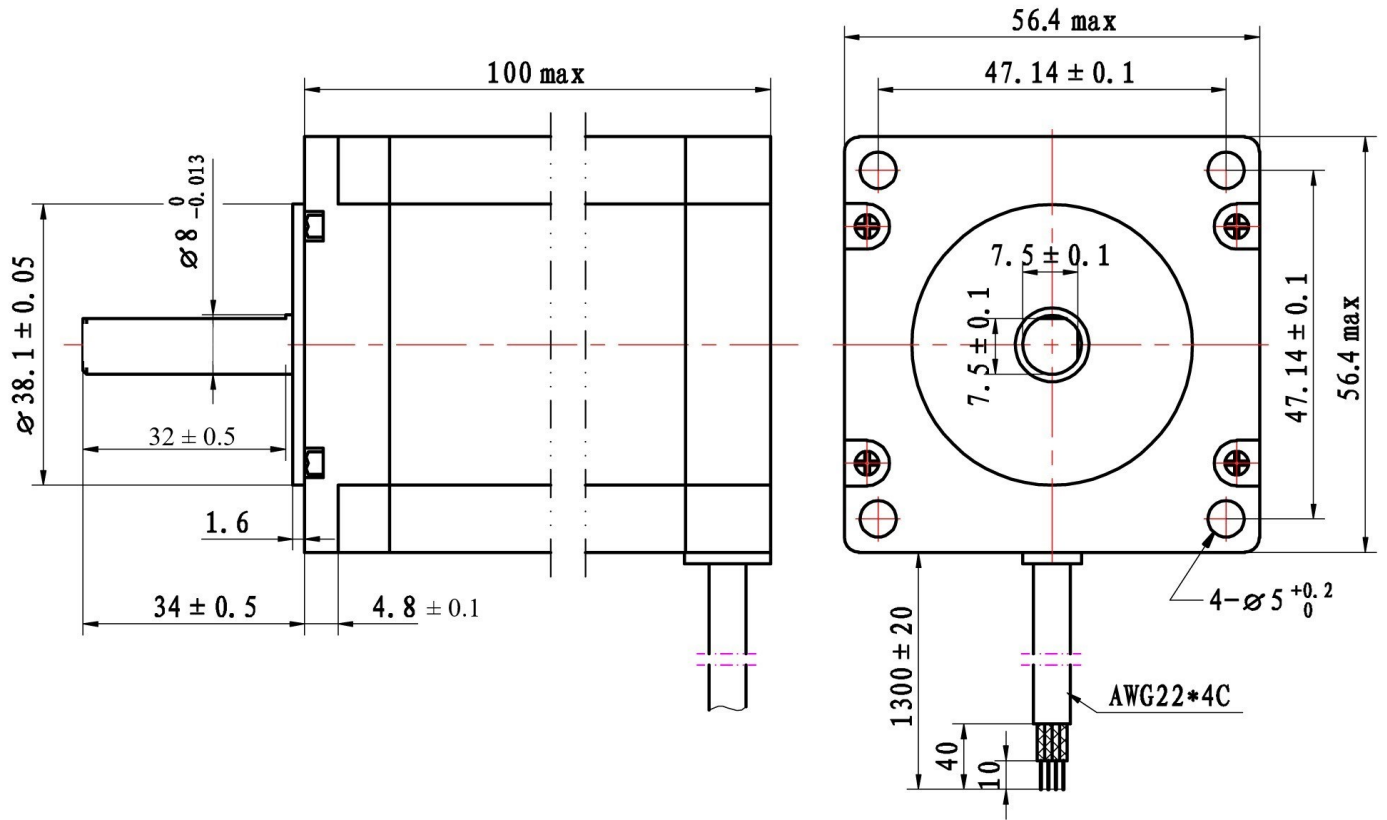
## PERFORMANCE CHARACTERISTICS

Holding Torque	3 Nm
Rated Voltage	8.4 V
Rated Current	3 A
Step Angle	1.8 °
Amount of Phases	2
Phase Resistance	2.8 Ω
Phase Inductivity	4.2 mH
Isolation resistance	Min. 100MΩ at 500 V DC
Isolation class	B (130°)
Rotational Inertia	260 g·cm <sup>2</sup>
Detent torque	0,04 Nm
Operating Temperature	-10 °C - 50 °C

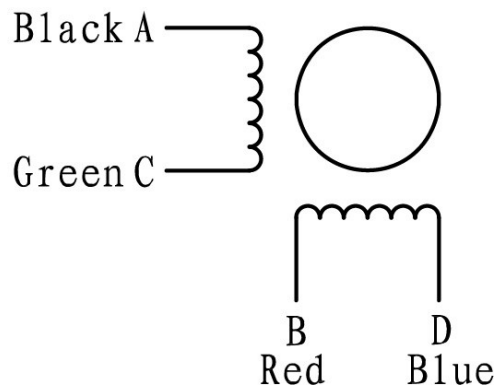
## FURTHER DETAILS

Article No.	NEMA23-03
EAN	42502368188801
Customs Tariff No.	8501109990

## DRAWING



## WIRING



## TORQUE DIAGRAM

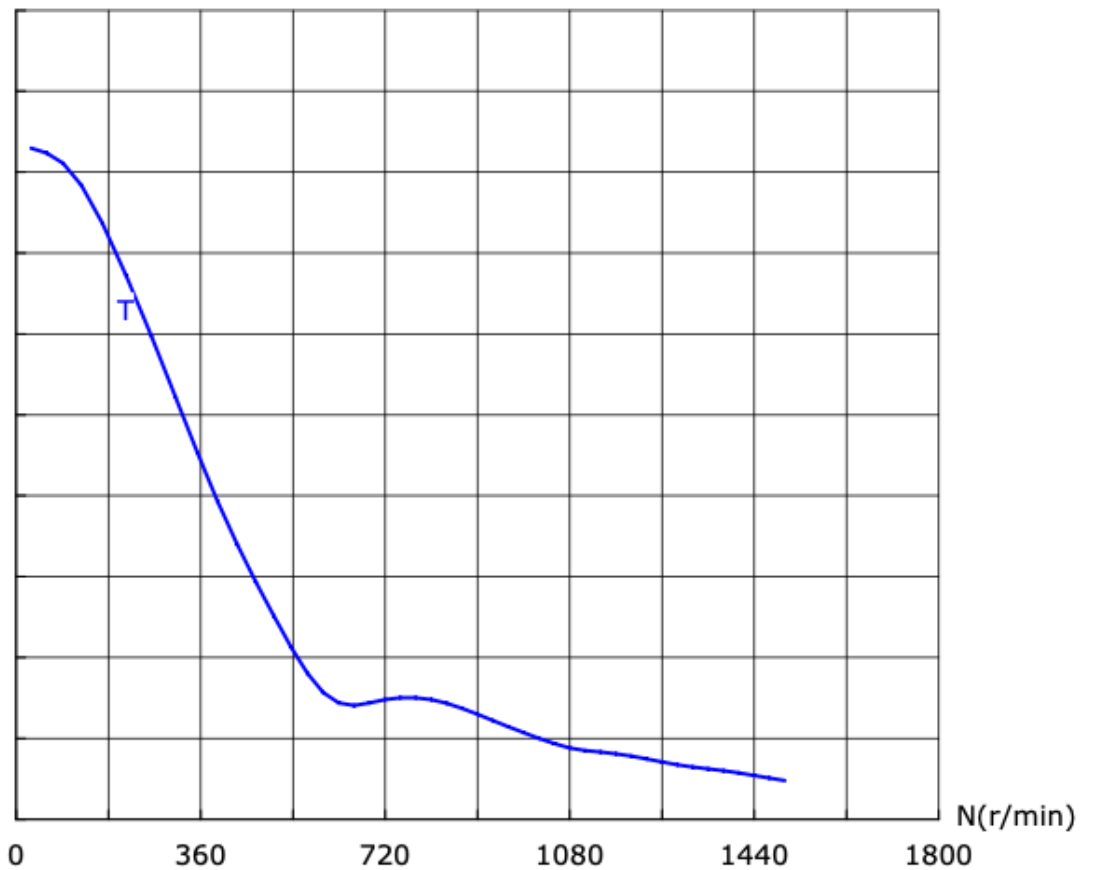
### 2H-845 DRIVER SETTINGS

Voltage 48,76 V

max. current 3,0 A

T(mN.m)

2800  
2520  
2240  
1960  
1680  
1400  
1120  
840  
560  
280



#### MAX. EFFICIENCY

Efficiency	70,7 %
Torque	1100,9 mNm
Current	1,272 A
Speed	393 min <sup>-1</sup>
Output power	43,19 W

#### MAX. TORQUE

Torque	2322,9 mNm
Current	0,789 A
Speed	29 min <sup>-1</sup>
Output power	7,05 W

#### MAX. POWER

Torque	1269,8 mNm
Current	1,320 A
Speed	354 min <sup>-1</sup>
Output power	44,31 W

Published: 27.10.2021

[www.joy-it.net](http://www.joy-it.net)

SIMAC Electronics GmbH,  
Pascalstr. 8, 47506 Neukirchen-Vluyn