

NEMA23-02

Bipolar Stepper Motor



This stepper motor can be used optimally for tasks in the areas of automation, CNC (f.e. milling machines, etc.), or robotic.

KEY FEATURES

Shaft dimensions	Ø 6.35 x 20 mm (single shaft)
Specification	57SHD0408-21
Connection	6-pin socket S6B-PH-K (JST-compatible), 4 pins used
Steps per Revolution	200
Dimensions	56 x 56 x 56 mm
Items delivered	NEMA23-02 Stepper Motor

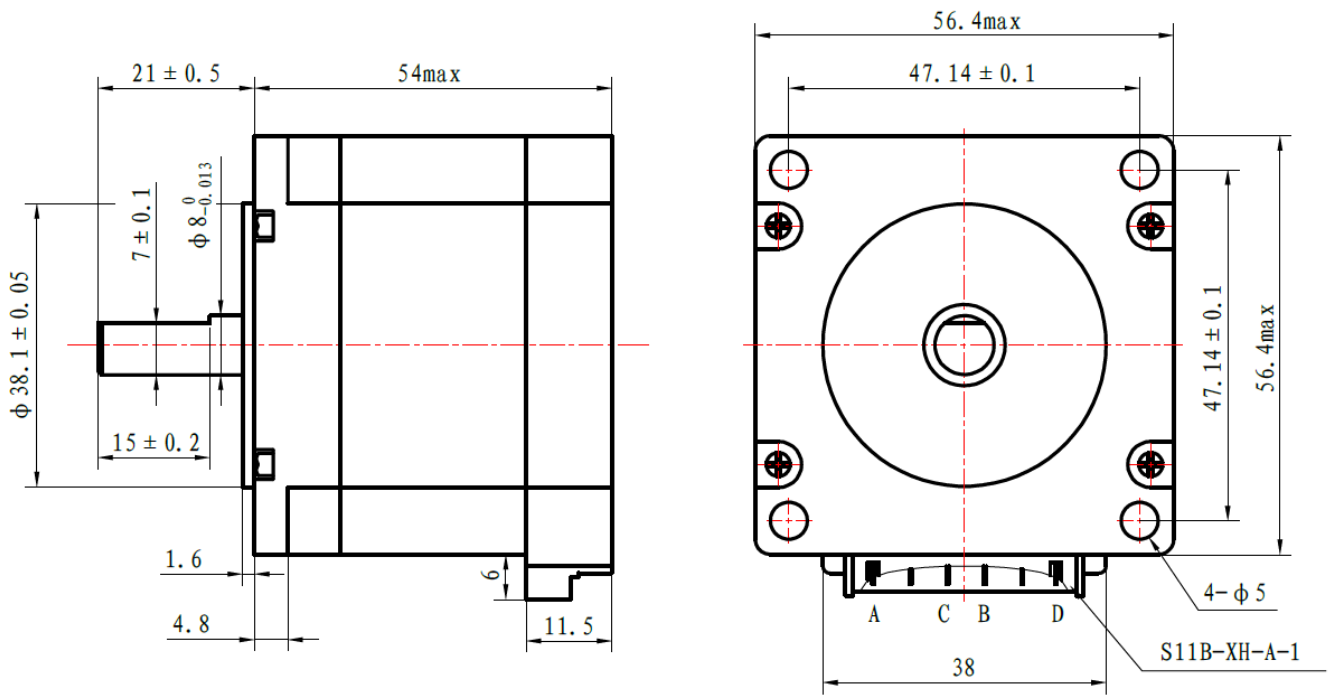
PERFORMANCE CHARACTERISTICS

Holding torque	1.2 Nm
Step angle	1.8 °
Rated voltage	3 V
Rated current	2.5 A
Amount of Phases	2
Phase resistance	1.2 Ω
Phase inductivity	4.2 mH
Isolation resistance	Min. 100MΩ bei 500 V DC
Isolation class	B (130°)
Rotational inertia	260 g·cm ²
Detent torque	0.04 Nm
Operating temperature	-10 °C - 50 °C

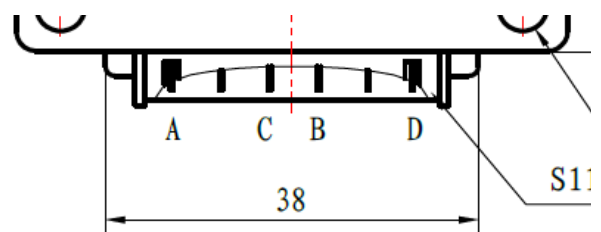
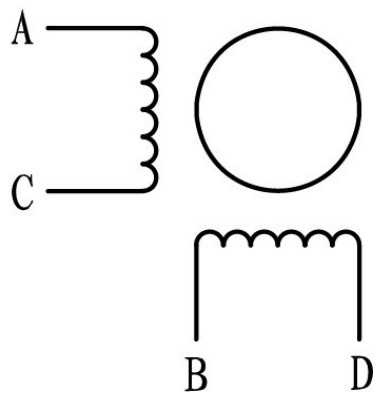
FURTHER DETAILS

Article No.	NEMA23-02
EAN	4250236818795
Customs Tariff No.	8501109990

DRAWING



WIRING



TORQUE DIAGRAM

2H-845 DRIVER SETTINGS

Voltage 48.30 V

max. current 2.5 A

T(N.m)

0.90

0.81

0.72

0.63

0.54

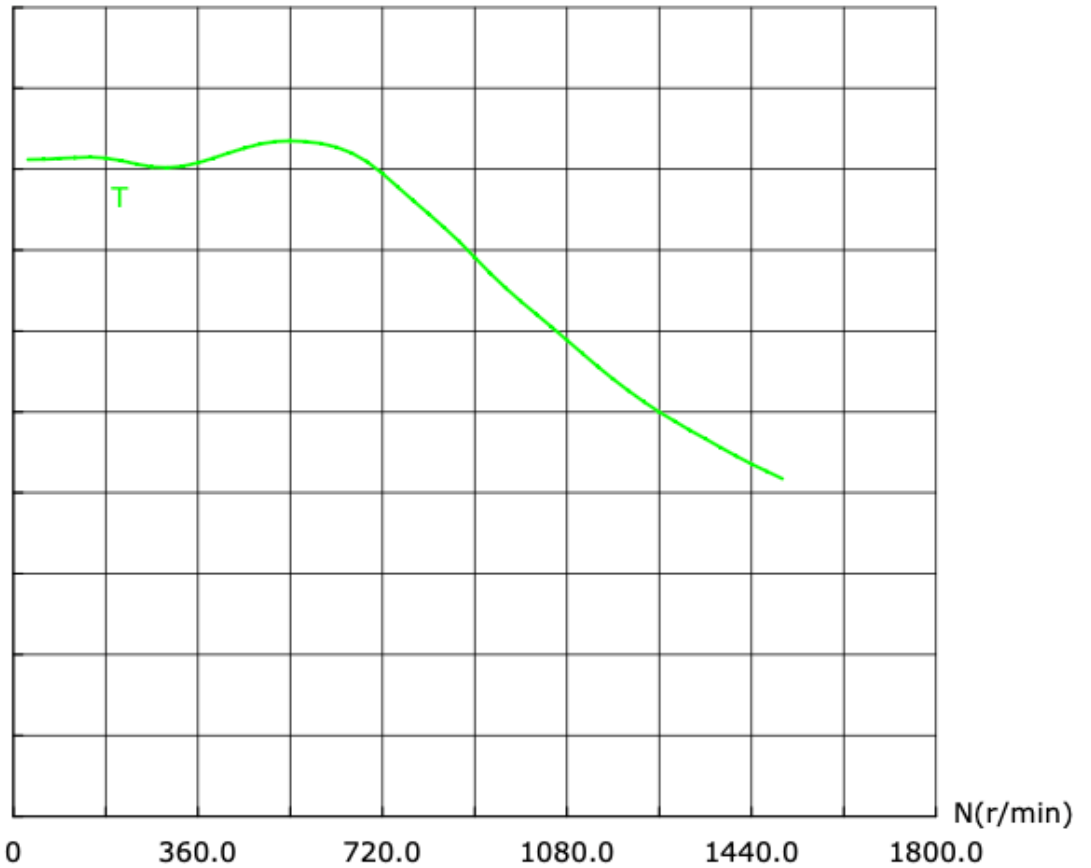
0.45

0.36

0.27

0.18

0.09



MAX. EFFICIENCY

Efficiency 70.9 %

Torque 0.487 Nm

Current 1.704 A

Speed 1170.1 min⁻¹

Output power 59.50 W

MAX. TORQUE

Torque 0.752 Nm

Current 1.368 A

Speed 539.9 min⁻¹

Output power 42.50 W

MAX. POWER

Torque 0.530 Nm

Current 1.721 A

Speed 1080.1 min⁻¹

Output power 59.81 W

Published: 18.08.2025