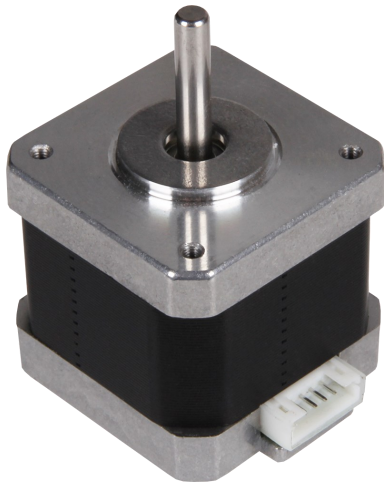


NEMA17-04

Bipolar Stepper Motor



This stepper motor can be optimally used for tasks in the areas of Automation, CNC (f. e. engraving lasers, 3D printers, milling machines, etc.), or robotic.

KEY FEATURES

Shaft diameter	Ø 4.5 x 22 mm (single shaft)
Specification	42SHD0217-24B
Connection	6-pole connector (JST), 4 pins used
Steps per revolution	200
Dimensions	42 x 42 x 42 mm
Items delivered	NEMA17-04 Motor

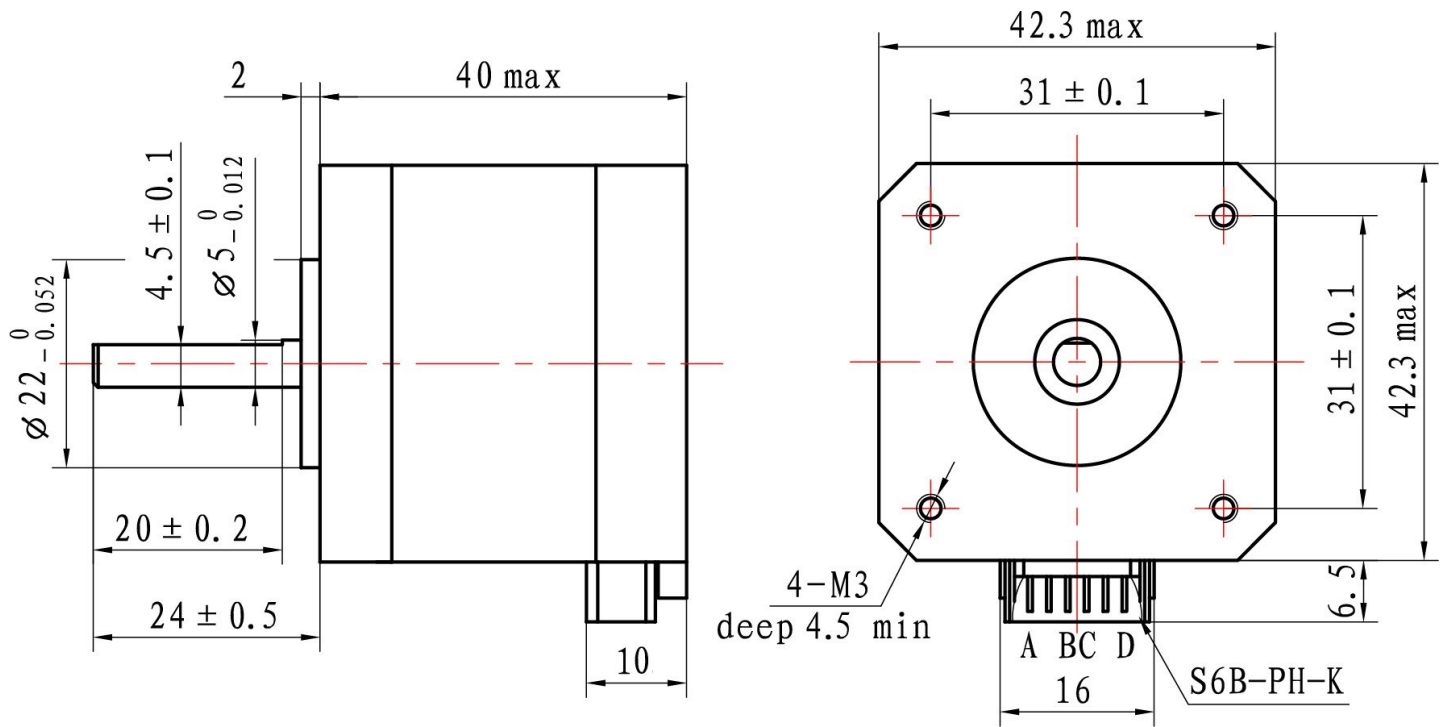
PERFORMANCE CHARACTERISTICS

Holding Torque	0.45 Nm
Rated Voltage	3.3 V
Rated Current	1.5 A
Step Angle	1.8 °
Amount of Phases	2
Phase Resistance	2.2 Ω
Phase inductivity	5 mH
Isolation resistance	Min. 100MΩ at 500 V DC
Isolation class	B (130°)
Rotational inertia	57 g·cm ²
Detent Torque	0,015 Nm
Operating Temperature	-10°C - 50°C

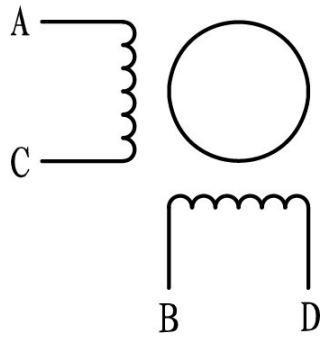
FURTHER DETAILS

Article No.	NEMA17-04
EAN	4250236818771
Customs Tariff No.	8501109990

DRAWING



WIRING



TORQUE DIAGRAM

2H-422 DRIVER SETTINGS

Voltage 24,43 V

max. current 1,6 A

T(mN.m)

400

360

320

280

240

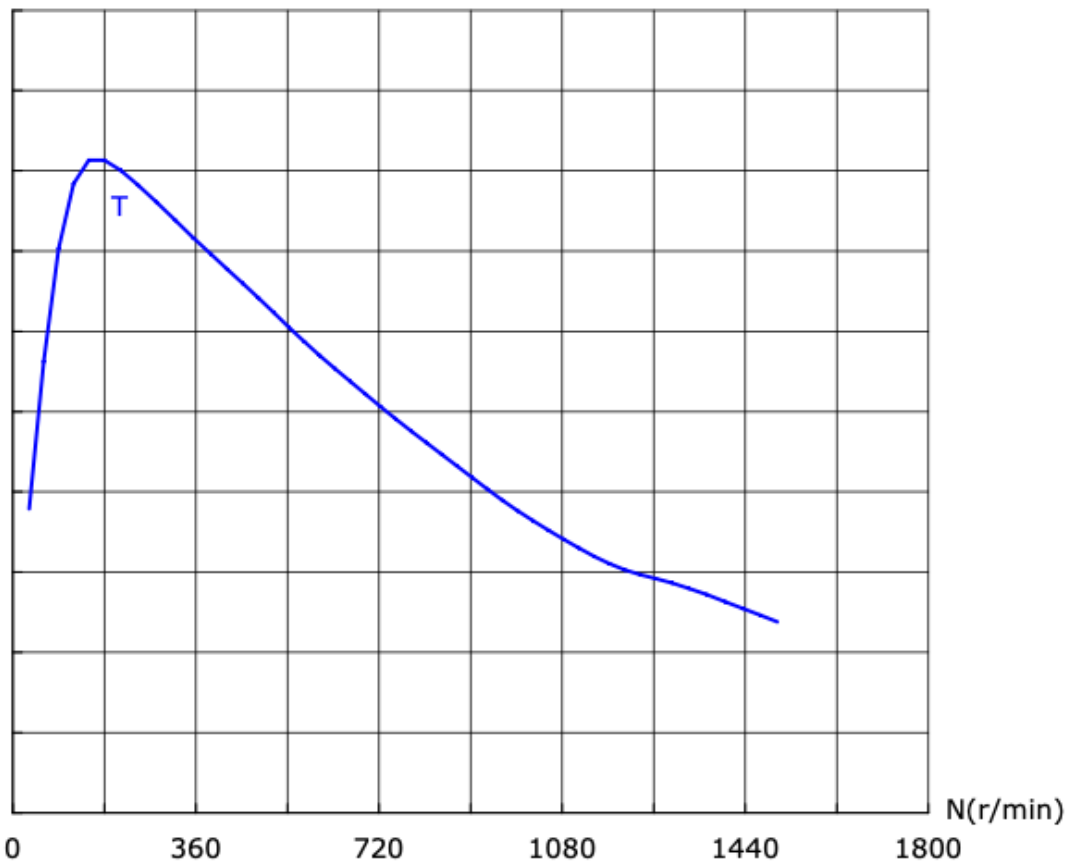
200

160

120

80

40



MAX. EFFICIENCY

Efficiency 74.2 %

Torque 116,8 mNm

Current 0,860 A

Speed 1264 min⁻¹

Output power 15,435 W

MAX. TORQUE

Torque 325,4 mNm

Current 0,608 A

Speed 180 min⁻¹

Output power 6,086 W

MAX. POWER

Torque 173,1 mNm

Current 0,890 A

Speed 873 min⁻¹

Output power 15,760 W

Published: 25.10.2021

www.joy-it.net

SIMAC Electronics GmbH,
Pascalstr. 8, 47506 Neukirchen-Vluyn