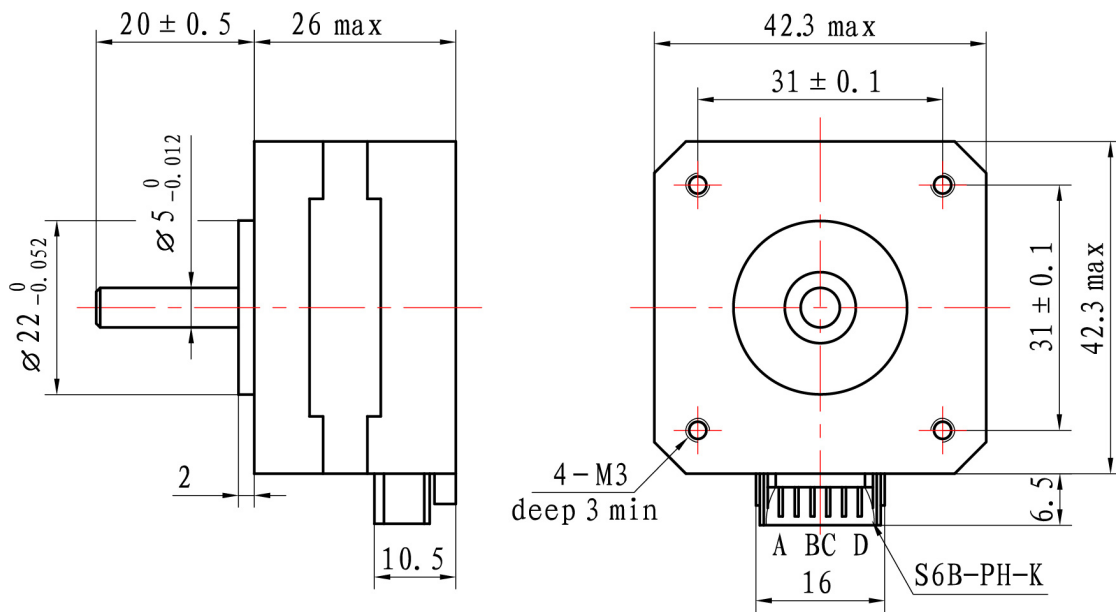


# NEMA17-03

schematic drawings



## Wiring diagram

