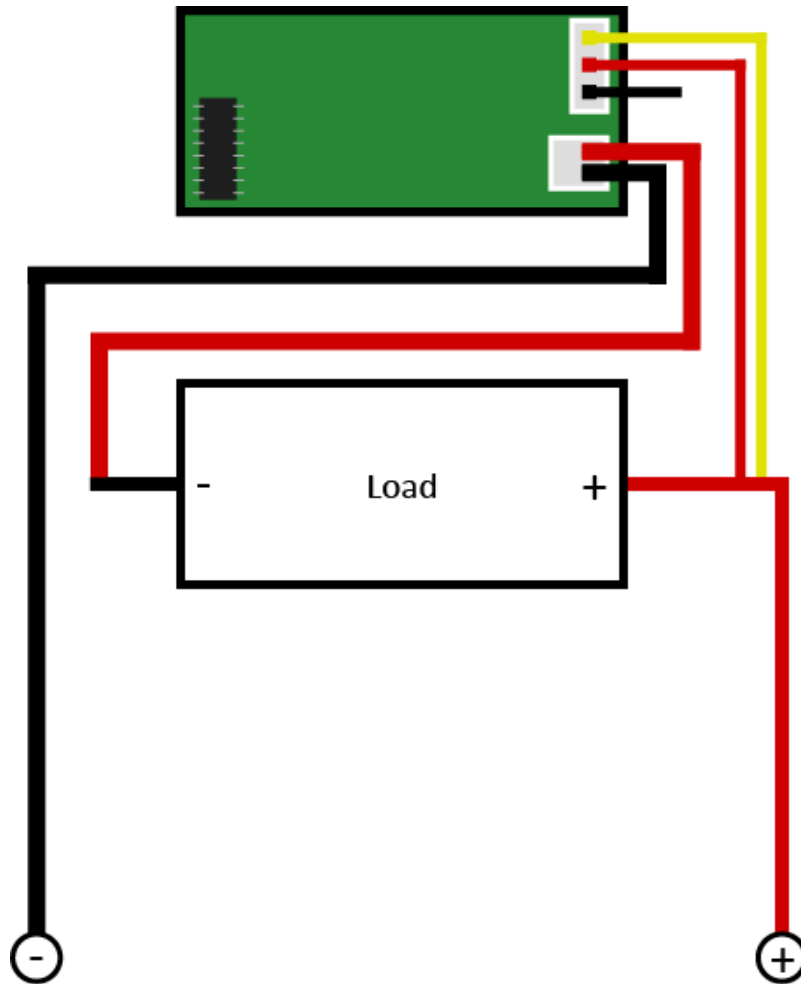


# COM-VAM10010

wiring



red cable (thick)	current measurement input
black cable (thick)	current measurement output
red cable (thin)	supply voltage input
yellow cable	voltage measurement
black cable (thin)	ground



**Attention!** In case of a direct operation via the measuring voltage the thin, black cable stays unwired (see wiring diagram).